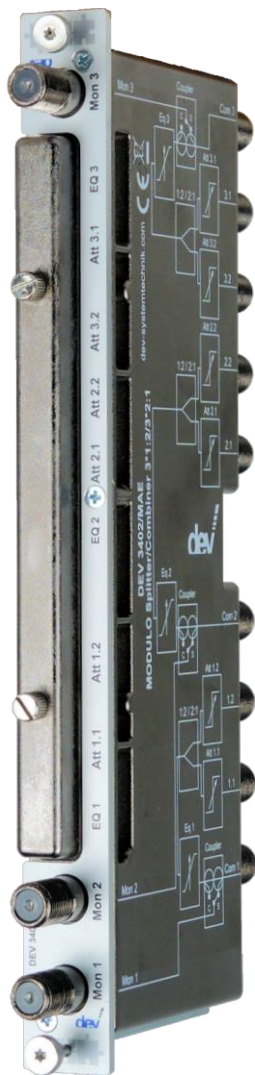
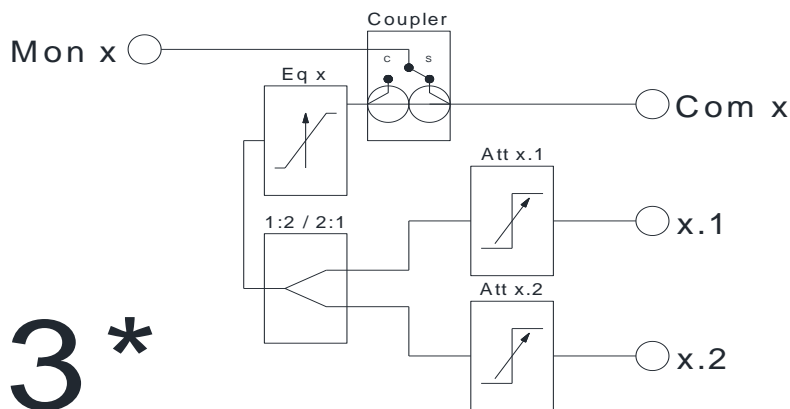


# DEV 3402/MAE – MODULO Splitter/Combiner 3\*1:2/3\*2:1



**Features:**

- ▀ Module 5 RU; 1 Slot
- ▀ Jumper to select Splitter or Combiner Functionality
- ▀ In- and Outputs at the Rear
- ▀ Monitor Ports at the Front
- ▀ Adjustable Attenuation per In-/Output
- ▀ Adjustable Slope at Common Port
- ▀ Radiated Disturbance ClassA+10dB



### Technical Data DEV 3402/MAE

	Value	Condition
<b>RF Specification</b>		
Frequency Range	5...1218 MHz	
Impedance	75 Ohm	
Connectors	F (f)	
Damage Composite Input Level	139 dB $\mu$ V	
Insertion Loss with 0 dB Attenuator Pad and 0 dB Equalizer Pad	max. 5.0 dB max. 5.5 dB max. 6.5 dB max. 7.0 dB max. 8.0 dB	5 ... 50 MHz 50 ... 550 MHz 550 ... 870 MHz 870 ...1006 MHz 1006 ...1218 MHz
Flatness	$\pm$ 0.1 dB	In any 8 MHz window
Monitor Port	-20 $\pm$ 3 dB	
Flatness Monitor Port	$\pm$ 0.5 dB $\pm$ 0.5 dB	5 ...1006 MHz 1006 ...1218 MHz
Return Loss Monitor Port	$\geq$ 18 dB	
Return Loss (Common Ports)	$\geq$ 18 dB $\geq$ 16 dB	5 ...1006 MHz 1006 ...1218 MHz
Return Loss (In-/Output Ports)	$\geq$ 18 dB	
Isolation between In- & Output Ports	$\geq$ 30 dB	5 ...1218 MHz *
<b>General Specification</b>		
Environmental Conditions	ETS 300019 Part 1-3 Class 3.1E	
Operating Temperature	0...50 °C (32...122 °F)	
Storage Temperature	-40...+70 °C (-40...+158 °F)	
Storage Humidity	5...95 %	Non-condensing
Radiated Disturbance	EN 50083-2 ClassA+10dB	

\* with 3 dB Pad

### Pad Information



Attenuator pads available for attenuation 0...15 dB in 1 dB steps



Equalizer pads available for slope 1.5...18 dB @ 1218/52 MHz in 1.5 dB steps

### Order Information

Products	
DEV 3402/MAE	MODULO Splitter/Combiner 3*1:2/3*2:1; 5...1218 MHz; 75 Ohm, F (f); 5 RU, Monitor Port, Adjustable Attenuation and Adjustable Slope
DEV 3920/xxdB	25 Attenuator Pads; 5...1218 MHz; 0...15 dB in 1 dB Steps
DEV 3921/xxdBy	10 Linear Equalizer Pads; 1218/52 MHz; 1.5...18 dB in 1.5 dB Steps

### Contact

DEV Systemtechnik GmbH  
 Grüner Weg 4A  
 61169 Friedberg  
 GERMANY  
 Phone: +49 6031 6975 100  
 Fax: +49 6031 6975 114  
 info@dev-systemtechnik.com  
 www.dev-systemtechnik.com

Rev. 17-Apr-2018

Technical specifications are subject to change