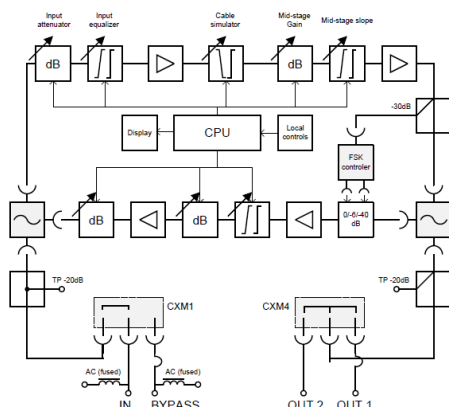


House Connection Amplifiers

CX3R-D

1.2 GHz amplifier 65 VAC with bypass

The CX3R-D is a compact dual output amplifier with 1.2 GHz frequency range in the downstream and up to 204 MHz in the upstream. The amplifier stage is based on high-performance GaN which ensures low power consumption. Adjustments use electronic controls, eliminating the need for plug-in attenuators or equalizers. The CX3R-D has a bypass port at input and even includes an FSK slot for optional remote control of ingress switches and power save.



CX3R-D features

- GaN amplifier technology
- Diplexers for 65/85/204 MHz upstream
- Bypass port at the input
- Remote powered
- Optional: remote ingress switching
- Optional: power save

One of Teleste's superior performance products designed for easy installation and reliability.

TELESTE

HOUSE CONNECTION AMPLIFIERS / CX3R-D

DOWNSTREAM SIGNAL PATH		UPSTREAM SIGNAL PATH	
	Typical values with diplexers, 0dB in-/output plugs		Typical values with diplexers, 0dB in-/output plugs
Frequency range	85...1218 MHz	Frequency range	5...204 MHz
Return loss	18.5 dB @ 80 MHz -1.5dB/oct.	Return loss	20 dB @ 40 MHz -1.5dB/oct. 18.5 dB @ 80 MHz -1.5dB/oct.
Gain	44 dB	Gain	28 dB
Input attenuator control range	0...-20 dB	Gain control range (output)	0...-15 dB
Input equaliser control range	0...25 dB	Gain control range (interstage)	0...-15 dB
Cable simulator	0 / -13 dB	Slope control range	0...16 dB
Mid-stage slope control range	0...14 dB		
Mid-stage gain control range	0...-12 dB	Flatness	± 0.75 dB
Flatness	± 0.75 dB	Noise figure (@high gain)	9.5 dB
Noise figure @ 1218 MHz, flat, high gain	8.5 dB		
Umax (138 QAM channels, @ 1.2 GHz)	109 dBμV		

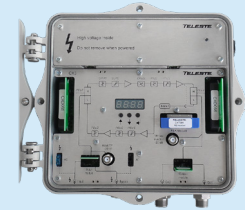
GENERAL SPECIFICATIONS

Supply voltage	28...90 VAC/50 Hz	Operating temperature range	-20 to + 65°C
Power consumption	18 W	Class of enclosure	IP67
Max. current feedthrough	2 A	Dimensions L x W x H	220 x 210 x 80 mm
Connectors	5/8"	Test point connector	F-Female

NOTES

More CX3R-D features:

- Block diagram inside
- Push button alignment and LED indication
- F-Female test points
- Clamped connector pin (no screws)
- Slot for optional FSK module
- Socket head screws
- Open bracket at one side for easy one-hand installation
- Hinge clip for easy removal of lid
- AMP connector at side connected to remote power line



ORDERING INFORMATION

CX3R065D	Basic CX3R-D configuration (CXM1 module at input and sealed bypass port, CXM4 splitter at the output, 2x IEC-M14 at output) with 2 x diplexer CXD065 installed
CX3R065D-F	Same as CX3R065D, but with CXT001 installed
CXT001	FSK module for RIS (Remote Ingress Switching) and power safe in combination with headed RIS controller HDM155
CXT002	Manual RIS controller for on-site setting the CX3R-D ingress attenuators in case HDM155 control is not available

TELESTE

TELESTE CORPORATION

www.teleste.com

Teleste_Datasheet_CX3R-D_20200319_v05

Copyright © 2020 Teleste Corporation. All rights reserved. Teleste and the Teleste logo are registered trademarks of Teleste Corporation. Other product and service marks are property of their respective owners.

Teleste reserves the right to make changes to any features and specifications of the products without prior notice. Although the information in this document has been reproduced in good faith, the contents of this document are provided "as is". Teleste makes no warranties of any kind in relation to the accuracy, reliability or contents of